

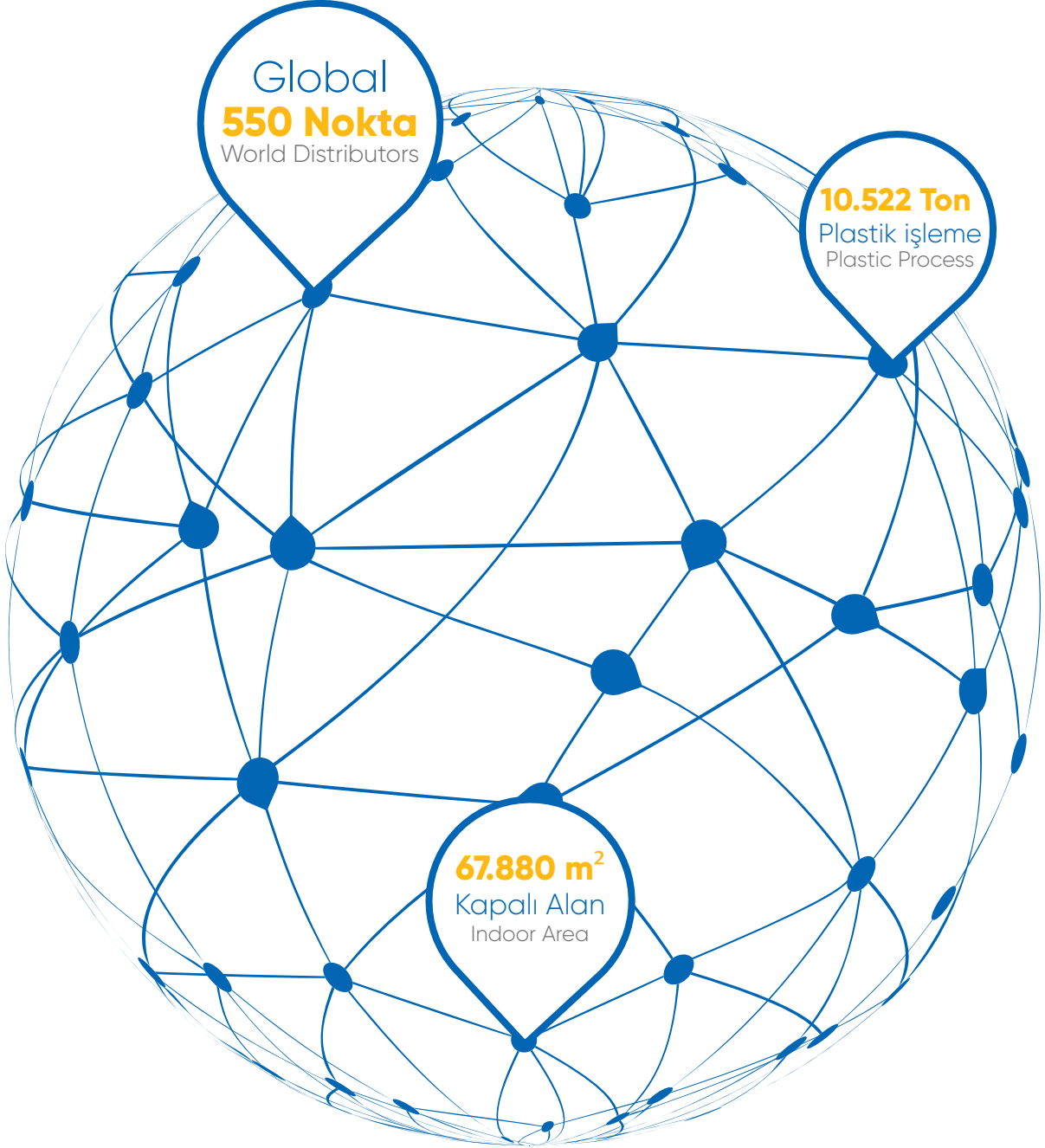


**POELSAN®**



POELSAN®

**ÜRÜN KATALOĞU**  
PRODUCTION CATALOGUE



# Poelsan Dünya Firmalarıyla Rekabet Ediyor...

+ Poelsan, 1994 yılında henüz ülkemizde üretimi yapılmadığı için ithal edilen Polietilen Kangal Boru Bağlantı Adaptörlerini, kendi tesisinde üreterek piyasaya sunan ilk firma olmuştur.

Poelsan ürünleri, başta peyzaj sektörü olmak üzere, içme suyu şebekelerinde, tarım alanlarında, seralarda, damla sulama sistemlerinde güvenle kullanılabilir.

Poelsan, 67.880 m<sup>2</sup> alanda yıllık 10.522 ton plastik işleme kapasitesiyle üretim yapmaktadır. Poelsan, yurt içinde tüm illere yayılmış yaklaşık 400 bayi ile çalışmakta ve 75 ülkeye ihracat yapmaktadır.

Poelsan, 2.000'in üzerinde ürün çeşidine sahiptir ve sektördeki yeniliklere bağlı olarak mevcut ürün çeşidini sürekli olarak arttırmayı ve sektöründe bir dünya markası olmayı hedeflemektedir.

# Poelsan is in the Global Market...

+ Poelsan is the first company that produced and marketed the Compression Fittings for PE Roll Pipes at its own plant, as the mentioned products could not be produced in the country and consequently been imported up to the year 1994.

POELSAN products can be used safely in the areas of landscaping, potable water networks, agricultural irrigation, drip irrigation and greenhouses.

Poelsan produces in 67.880 m<sup>2</sup> area with its annual plastic process of 10.522 tones. Poelsan cooperates with 400 domestic distributors overall provinces in Turkey and also exports to 75 countries.

Poelsan has a wide product range consisting of more than 2.000 items and aims to extend its current product range consistently depending on the developments in the sector and to be a global brand.



## Misyonumuz

- + Teknolojiyi kullanarak yüksek kaliteli ve inovatif ürünler sunmak; bu ürünleri global pazar müşterileri ile buluşturmak.

## Vizyonumuz

- + Su sistemlerinde Dünya'da tanınan bir marka ve Türkiye sanayisinin öncü şirketlerinden birisi olmak.

## Değerlerimiz

- + İnsan ve Çevreye Saygı
- + Liderlik
- + Güvenilirlik
- + Değerli Hissettirmek
- + Gelişime ve Yeniliğe Açık
- + Takım Ruhu

## Our Mission

- + To offer high quality and innovative products using technology; to bring these products together with the global market customers.

## Our Vision

- + To become a well known world brand in the World in water systems and one of the leading companies in the Turkish industry.

## Our Values

- + Respect for Human and Environment
- + Leadership
- + Reliability
- + Making Feel Valuable
- + Open to Development and Innovation
- + Team Spirit



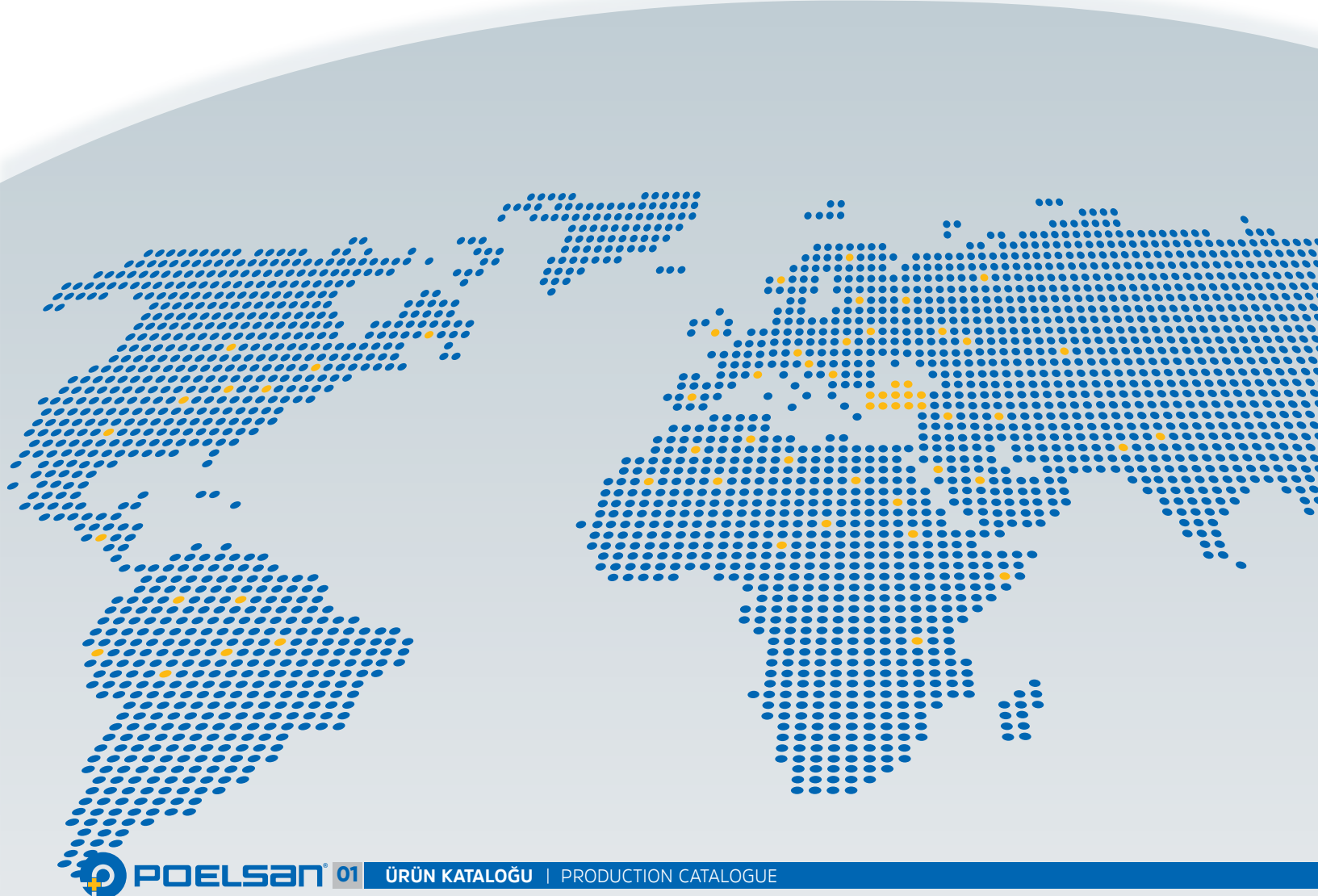
# SEKTÖRÜNDE DÜNYA MARKASI

WORLD'S LEADING BRAND IN THE INDUSTRY

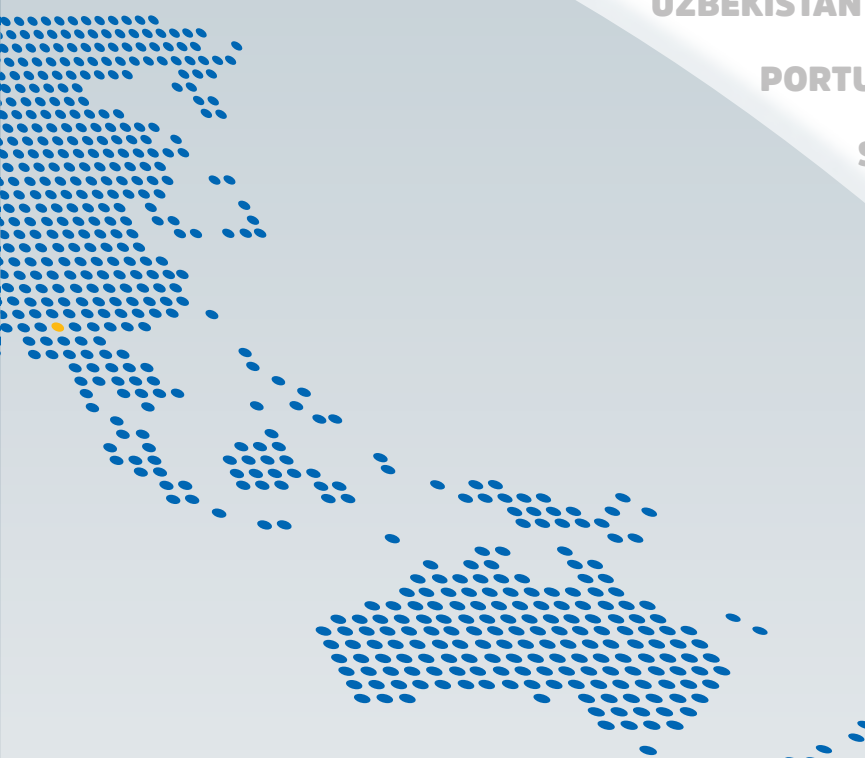


**75** 2.000 Üzerinde **Ürün Çeşidi**  
**ÜLKEYE İHRACAT**

More than 2.000 products range  
exported to 75 countries



A.B.D. + ALMANYA + ARJANTİN + ARNAVUTLUK + AVUSTRALYA + AZERBAJCAN + BELARUS  
BREZİLYA + BİRLEŞİK ARAP EMİRLİKLERİ + BOLİVYA + BOSNA HERSEK + BULGARİSTAN  
CEZAYİR + ÇEK CUMHURİYETİ + EKVADOR + ENDONEZYA + ERMENİSTAN + ETİYOPYA  
FAS + FRANSA + GÜRCİSTAN + HİNDİSTAN + HOLLANDA + IRAK + İNGİLTERE + İRAN  
İRLANDA + İSPANYA + İSRAİL + İTALYA + KAMBOÇYA + KARADAĞ + KATAR + KAZAKİSTAN  
KIRGIZİSTAN + KOSOVA + KOSTA RİKA + K.K.T.C. + KUVEYT + LİBYA + LİTVANYA + LÜBNAN  
MAKEDONYA + MACARİSTAN + MISIR + MOLDOVA + NORVEÇ + ÖZBEKİSTAN + PAKİSTAN + PERU  
POLONYA + PORTEKİZ + ROMANYA + RUSYA + SİRBİSTAN + SLOVAKYA + SURİYE  
SUUDİ ARABİSTAN + ŞİLİ + TAYLAND + TUNUS + TÜRKMENİSTAN + UKRAYNA + UMMAN  
URUGUAY + ÜRDÜN + YEMEN + VENEZUELA + YENİ ZELANDA + YUNANİSTAN  
UNITED STATES OF AMERICA + GERMANY + ARGENTINA + ALBANIA + AUSTRALIA  
AZERBAIJAN + BELARUS + BRASIL + UNITED ARAB EMIRATES + BOLIVIA  
BOSNIA AND HERZEGOVINA + BULGARIA + ALGERIA + CZECH REPUBLIC + ECUADOR  
INDONESIA + ARMENIA + ETHIOPIA + MOROCCO + FRANCE + GEORGIA + INDIA  
NETHERLANDS + IRAQ + UNITED KINGDOM + IRAN + IRELAND + SPAIN + ISRAEL + ITALY  
CAMBODIA + MONTENEGRO + QATAR + KAZAKHSTAN + KYRGYZSTAN + KOSOVO  
COSTA RICA + T.R.N.C + KUWAIT + LIBYA + LITHUANIA + LEBANON  
HUNGARY + MACEDONIA + EGYPT + MOLDOVA + NORWAY  
UZBEKISTAN + PAKISTAN + PERU + POLAND  
PORTUGAL + ROMANIA + RUSSIA + SERBIA  
SLOVAKIA + SYRIA + SAUDI ARABIA  
CHILE + THAILAND + TUNISIA  
TURKMENISTAN + UKRAINE  
OMAN + URUGUAY + JORDAN  
VENEZUELA + YEMEN  
NEW ZEALAND  
GREECE



## DİŐLİ BAĐLANTI ELEMANLARI

THREADED FITTINGS

РЕЗЬБОВЫЕ ФИТИНГИ

مواد الربط المسننة

### Özellikler

- + Darbelere karşı dayanıklı, yüksek kaliteli polipropilen hammaddeden üretilmiştir.
- + UV ışınlarını geçirmediđi için yosunlanmaya ve bakteri üremesine izin vermez.
- + İç yüzeyleri homojen ve gözeneksizdir.
- + Suyun kokusunu ve tadını deđiştirebilecek zararlı bileşikler içermez.

### Specifications

- + It has been produced from high quality polypropylene raw material and it has resistance to impact.
- + They prevent alga and bacteria forming due to UV proof (ultraviolet beam) structure.
- + It has a homogeneous and non-porous inner surface.
- + It does not contain any harmful compounds which can change the taste or the smell of the water.

**GARANTİ VERİLEN BASINÇ DEĐERİ** : PN 10  
**GUARANTEED PRESSURE VALUE** : PN 10

### KULLANIM ALANLARI

- + Peyzaj Sektörü
- + Tarımsal Sulama

### INSTALLATION AREAS

- + Landscaping Systems
- + Agricultural Irrigation



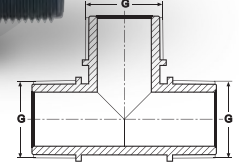
# DIŞLİ BAĞLANTI ELEMANLARI / THREADED FITTINGS

مواد الربط المسننة / РЕЗЬБОВЫЕ ФИТИНГИ

KOD CODE	EBAT / SIZE G x G x G	AMBALAJ ADEDİ PACKING QUANTITY	KOLİ ADEDİ BOX QUANTITY	ÇUVAL ADEDİ SACK QUANTITY
13111	1/2" x 1/2" x 1/2"	25	750	800
13112	1/2" x 3/4" x 1/2"	25	600	650
13121	3/4" x 1/2" x 3/4"	25	600	650
13122	3/4" x 3/4" x 3/4"	25	600	650
13123	3/4" x 1" x 3/4"	25	550	550
13131	1" x 1/2" x 1"	25	400	450
13132	1" x 3/4" x 1"	25	400	450
13133	1" x 1" x 1"	25	400	450
13141	1 1/4" x 1/2" x 1 1/4"	15	210	270
13142	1 1/4" x 3/4" x 1 1/4"	15	210	255
13143	1 1/4" x 1" x 1 1/4"	15	210	225
13144	1 1/4" x 1 1/4" x 1 1/4"	15	180	210
13155	1 1/2" x 1 1/2" x 1 1/2"	10	100	110
13165	2" x 1 1/2" x 2"	6	66	72
13166	2" x 2" x 2"	6	60	72
13177	2 1/2" x 2 1/2" x 2 1/2"	3	36	39
13188	3" x 3" x 3"	2	22	26
13199	4" x 4" x 4"	1	15	15

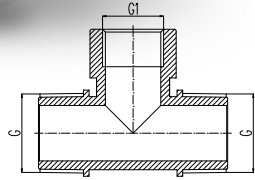
KOD CODE	EBAT / SIZE G x G, x G	AMBALAJ ADEDİ PACKING QUANTITY	KOLİ ADEDİ BOX QUANTITY	ÇUVAL ADEDİ SACK QUANTITY
13211	1/2" x 1/2" x 1/2"	25	550	600
13212	1/2" x 3/4" x 1/2"	25	500	550
13221	3/4" x 1/2" x 3/4"	25	500	550
13222	3/4" x 3/4" x 3/4"	25	450	450
13223	3/4" x 1" x 3/4"	25	375	400
13231	1" x 1/2" x 1"	25	400	400
13232	1" x 3/4" x 1"	25	350	400
13233	1" x 1" x 1"	25	300	350
13242	1 1/4" x 3/4" x 1 1/4"	15	195	225
13243	1 1/4" x 1" x 1 1/4"	15	180	210
13254	1 1/2" x 1 1/4" x 1 1/2"	10	110	120
13255	1 1/2" x 1 1/2" x 1 1/2"	10	80	100
13264	2" x 1 1/4" x 2"	6	60	72
13265	2" x 1 1/2" x 2"	6	60	72
13266	2" x 2" x 2"	6	48	60
13267	2 1/2" x 2 1/2" x 2 1/2"	3	30	36
13268	3" x 3" x 3"	2	18	24
13269	4" x 4" x 4"	1	14	13

KOD CODE	EBAT / SIZE G x G x G	AMBALAJ ADEDİ PACKING QUANTITY	KOLİ ADEDİ BOX QUANTITY	ÇUVAL ADEDİ SACK QUANTITY
13271	1/2" x 1/2" x 1/2"	25	450	450
13272	3/4" x 3/4" x 3/4"	25	275	300
13273	1" x 1" x 1"	25	200	225
13274	1 1/4" x 1 1/4" x 1 1/4"	15	105	120
13275	1 1/2" x 1 1/2" x 1 1/2"	10	60	80
13276	2" x 2" x 2"	6	42	48
13277	2 1/2" x 2 1/2" x 2 1/2"	3	27	27
13278	3" x 3" x 3"	2	18	20
13279	4" x 4" x 4"	1	12	12



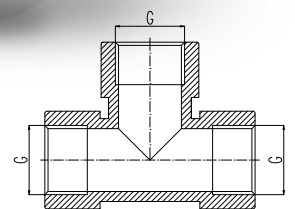
## DIŞLİ TE ERKEK - ERKEK - ERKEK

THREADED TEE MALE - MALE - MALE  
ТРОЙНИК НАРУЖНАЯ РЕЗЬБА  
НАРУЖНАЯ РЕЗЬБА - НАРУЖНАЯ РЕЗЬБА  
تقسيم مسنن سن خارج-خارج-خارج



## DIŞLİ TE ERKEK - DIŞİ - ERKEK

THREADED TEE MALE - FEMALE - MALE  
ТРОЙНИК НАРУЖНАЯ РЕЗЬБА  
ВНУТРЕННЯЯ РЕЗЬБА - НАРУЖНАЯ РЕЗЬБА  
تقسيم مسنن سن خارج-داخل-خارج



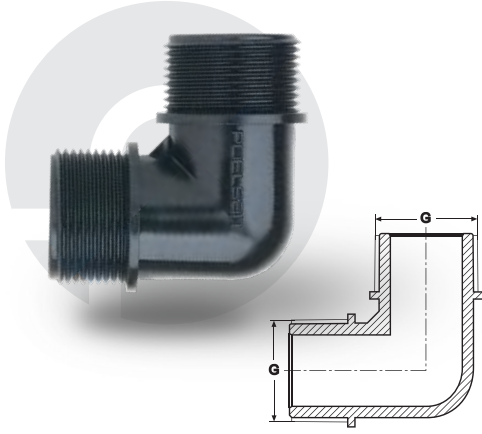
## DIŞLİ TE DIŞİ - DIŞİ - DIŞİ

THREADED TEE FEMALE - FEMALE - FEMALE  
ТРОЙНИК ВНУТРЕННЯЯ РЕЗЬБА  
ВНУТРЕННЯЯ РЕЗЬБА - ВНУТРЕННЯЯ РЕЗЬБА  
تقسيم مسنن سن داخل-داخل-داخل



# DIŞLİ BAĞLANTI ELEMANLARI / THREADED FITTINGS

مواد الربط المسننة / РЕЗЬБОВЫЕ ФИТИНГИ



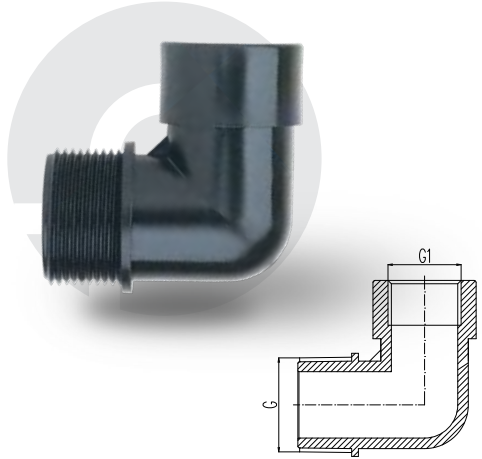
## DIŞLİ DİRSEK ERKEK - ERKEK

THREADED ELBOW MALE - MALE

УГОЛ НАРУЖНАЯ РЕЗЬБА - НАРУЖНАЯ РЕЗЬБА

عكس مسنن سن خارج-خارج

KOD CODE	EBAT / SIZE G x G	AMBALAJ ADEDİ PACKING QUANTITY	KOLİ ADEDİ BOX QUANTITY	ÇUVAL ADEDİ SACK QUANTITY
13311	1/2" x 1/2"	25	900	950
13321	3/4" x 1/2"	25	900	950
13322	3/4" x 3/4"	25	800	900
13331	1" x 1/2"	25	600	625
13332	1" x 3/4"	25	600	650
13333	1" x 1"	25	550	550
13341	1 1/4" x 1/2"	15	300	345
13342	1 1/4" x 3/4"	15	300	360
13343	1 1/4" x 1"	15	300	330
13344	1 1/4" x 1 1/4"	15	240	270
13355	1 1/2" x 1 1/2"	10	150	180
13364	2" x 1 1/4"	6	108	120
13365	2" x 1 1/2"	6	108	126
13366	2" x 2"	6	90	102
13377	2 1/2" x 2 1/2"	4	56	60
13388	3" x 3"	2	36	40
13399	4" x 4"	1	23	24



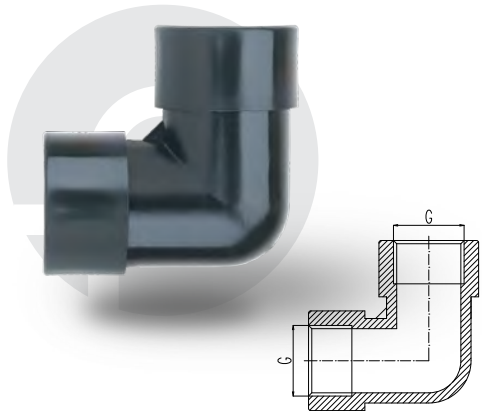
## DIŞLİ DİRSEK ERKEK - DIŞI

THREADED ELBOW MALE - FEMALE

УГОЛ НАРУЖНАЯ РЕЗЬБА - ВНУТРЕННЯЯ РЕЗЬБА

عكس مسنن سن خارج-داخل

KOD CODE	EBAT / SIZE G x G <sub>1</sub>	AMBALAJ ADEDİ PACKING QUANTITY	KOLİ ADEDİ BOX QUANTITY	ÇUVAL ADEDİ SACK QUANTITY
13411	1/2" x 1/2"	25	800	750
13412	1/2" x 3/4"	25	600	600
13421	3/4" x 1/2"	25	700	625
13422	3/4" x 3/4"	25	600	600
13423	3/4" x 1"	25	500	550
13431	1" x 1/2"	25	550	550
13432	1" x 3/4"	25	500	500
13433	1" x 1"	25	400	450
13442	1 1/4" x 3/4"	15	270	300
13443	1 1/4" x 1"	15	240	270
13444	1 1/4" x 1 1/4"	15	210	210
13454	1 1/2" x 1 1/4"	10	140	170
13455	1 1/2" x 1 1/2"	10	120	140
13464	2" x 1 1/4"	6	108	120
13465	2" x 1 1/2"	6	84	108
13466	2" x 2"	6	72	84
13467	2 1/2" x 2 1/2"	4	48	48
13468	3" x 3"	2	32	30
13469	4" x 4"	1	18	20



## DIŞLİ DİRSEK DIŞI - DIŞI

THREADED ELBOW FEMALE - FEMALE

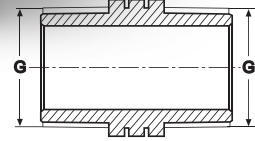
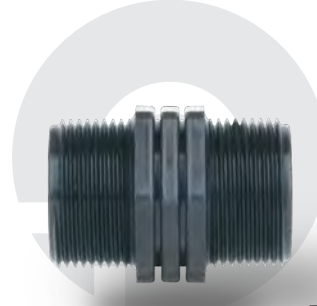
УГОЛ ВНУТРЕННЯЯ РЕЗЬБА - ВНУТРЕННЯЯ РЕЗЬБА

عكس مسنن سن داخل-داخل

KOD CODE	EBAT / SIZE G x G	AMBALAJ ADEDİ PACKING QUANTITY	KOLİ ADEDİ BOX QUANTITY	ÇUVAL ADEDİ SACK QUANTITY
13471	1/2" x 1/2"	25	800	800
13472	3/4" x 3/4"	25	450	500
13473	1" x 1"	25	300	350
13474	1 1/4" x 1 1/4"	15	180	195
13475	1 1/2" x 1 1/2"	10	110	120
13476	2" x 2"	6	66	72
13477	2 1/2" x 2 1/2"	4	36	48
13478	3" x 3"	2	26	28
13479	4" x 4"	1	16	18
13480	1 1/2" x 1 1/4"	10	120	150

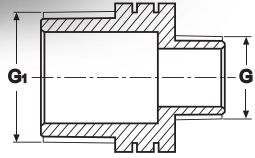
# DIŞLİ BAĞLANTI ELEMANLARI / THREADED FITTINGS

KOD CODE	EBAT / SIZE G x G	AMBALAJ ADEDİ PACKING QUANTITY	KOLİ ADEDİ BOX QUANTITY	ÇUVAL ADEDİ SACK QUANTITY
13511	½" x ½"	50	1500	1600
13522	¾" x ¾"	50	1400	1400
13533	1" x 1"	50	900	900
13544	1 ¼" x 1 ¼"	25	375	400
13555	1 ½" x 1 ½"	25	250	300
13566	2" x 2"	25	150	175
13577	2 ½" x 2 ½"	12	96	108
13588	3" x 3"	12	60	72
13599	4" x 4"	6	36	48

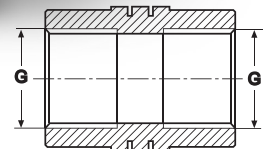


**DIŞLİ NİPEL**  
THREADED NIPPLE  
НИППЕЛЬ РЕЗЬБОВОЙ  
زبانه مسننه

KOD CODE	EBAT / SIZE G <sub>1</sub> x G <sub>2</sub>	AMBALAJ ADEDİ PACKING QUANTITY	KOLİ ADEDİ BOX QUANTITY	ÇUVAL ADEDİ SACK QUANTITY
13621	¾" x ½"	50	1500	1500
13631	1" x ½"	50	1000	1050
13632	1" x ¾"	50	900	1000
13641	1 ¼" x ½"	25	450	500
13642	1 ¼" x ¾"	25	450	500
13643	1 ¼" x 1"	25	450	500
13652	1 ½" x ¾"	25	300	300
13653	1 ½" x 1"	25	300	350
13654	1 ½" x 1 ¼"	25	275	300
13663	2" x 1"	25	200	225
13664	2" x 1 ¼"	25	175	225
13665	2" x 1 ½"	25	175	200
13674	2 ½" x 1 ¼"	12	120	132
13675	2 ½" x 1 ½"	12	108	120
13676	2 ½" x 2"	12	108	120
13685	3" x 1 ½"	12	96	120
13686	3" x 2"	12	96	120
13687	3" x 2 ½"	12	72	84
13696	4" x 2"	6	60	60
13697	4" x 2 ½"	6	60	60
13698	4" x 3"	6	60	60



**DIŞLİ REDÜKSİYON NİPEL**  
THREADED REDUCING NIPPLE  
НИППЕЛЬ РЕЗЬБОВОЙ ПЕРЕХОДНЫЙ  
زبانه مسننه مصغرة

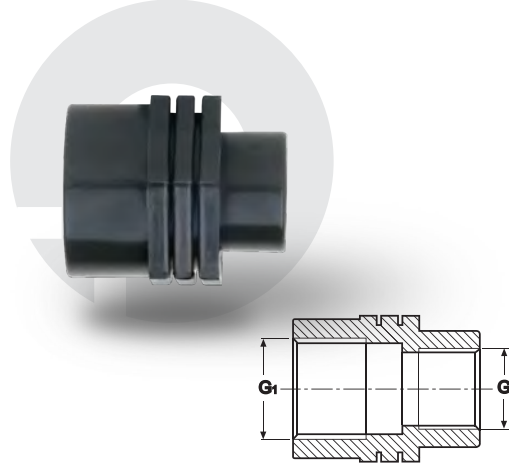


**DIŞLİ MANŞON**  
THREADED COUPLING  
МУФТА РЕЗЬБОВАЯ  
صمونه مسننه

KOD CODE	EBAT / SIZE G x G	AMBALAJ ADEDİ PACKING QUANTITY	KOLİ ADEDİ BOX QUANTITY	ÇUVAL ADEDİ SACK QUANTITY
13711	½" x ½"	50	1200	1250
13722	¾" x ¾"	50	750	900
13733	1" x 1"	50	400	450
13744	1 ¼" x 1 ¼"	25	250	300
13755	1 ½" x 1 ½"	15	225	240
13766	2" x 2"	12	144	156
13777	2 ½" x 2 ½"	12	120	108
13788	3" x 3"	6	60	78
13799	4" x 4"	4	40	40

# DIŞLİ BAĞLANTI ELEMANLARI / THREADED FITTINGS

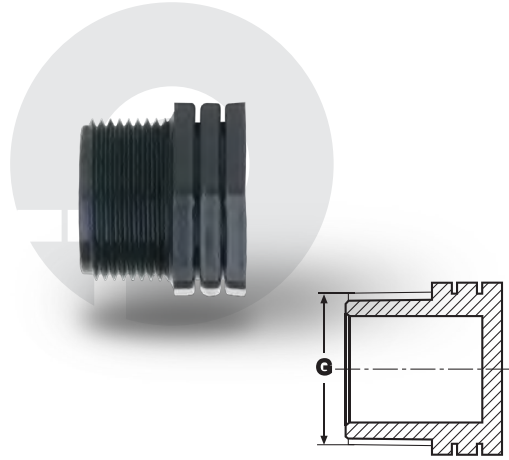
مواد الربط المسننة / РЕЗЬБОВЫЕ ФИТИНГИ



## DIŞLİ REDÜKSİYON MANŞON

THREADED REDUCING COUPLING  
МУФТА РЕЗЬБОВАЯ ПЕРЕХОДНАЯ  
صمونة مسننة مصغرة

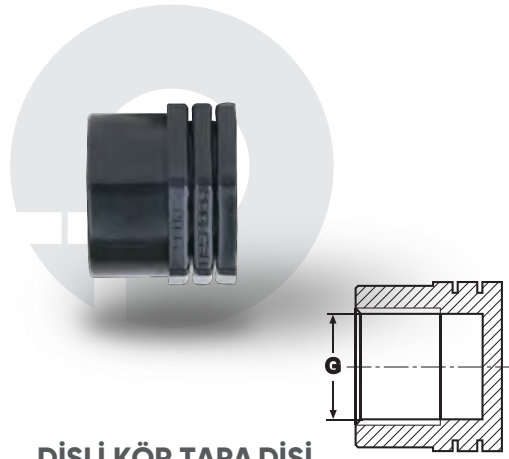
KOD CODE	EBAT / SIZE G <sub>1</sub> x G	AMBALAJ ADEDİ PACKING QUANTITY	KOLİ ADEDİ BOX QUANTITY	ÇUVAL ADEDİ SACK QUANTITY
13821	¾" x ½"	50	800	850
13831	1" x ½"	50	450	550
13832	1" x ¾"	50	400	550
13842	1 ¼" x ¾"	25	300	300
13843	1 ¼" x 1"	25	275	325
13853	1 ½" x 1"	15	270	270
13854	1 ½" x 1 ¼"	15	240	270
13864	2" x 1 ¼"	12	192	204
13865	2" x 1 ½"	12	168	180
13874	2 ½" x 1 ¼"	12	168	156
13875	2 ½" x 1 ½"	12	168	144
13876	2 ½" x 2"	12	120	120
13886	3" x 2"	6	84	90
13887	3" x 2 ½"	6	72	84
13896	4" x 2"	6	56	48
13897	4" x 2 ½"	4	48	48
13898	4" x 3"	4	48	44



## DIŞLİ KÖR TAPA ERKEK

THREADED END CAP MALE  
ЗАГЛУШКА С НАРУЖНОЙ РЕЗЬБОЙ  
سدادة سن خارج مسننة

KOD CODE	EBAT / SIZE G	AMBALAJ ADEDİ PACKING QUANTITY	KOLİ ADEDİ BOX QUANTITY	ÇUVAL ADEDİ SACK QUANTITY
14111	½"	50	2000	2000
14122	¾"	50	1800	1800
14133	1"	50	1200	1300
14144	1 ¼"	25	550	600
14155	1 ½"	15	360	390
14166	2"	12	240	264
14177	2 ½"	12	144	168
14188	3"	6	120	108
14199	4"	4	56	64



## DIŞLİ KÖR TAPA DIŞI

THREADED END CAP FEMALE  
ЗАГЛУШКА С ВНУТРЕННЕЙ РЕЗЬБОЙ  
سدادة سن داخل مسننة

KOD CODE	EBAT / SIZE G	AMBALAJ ADEDİ PACKING QUANTITY	KOLİ ADEDİ BOX QUANTITY	ÇUVAL ADEDİ SACK QUANTITY
14211	½"	50	1600	1500
14222	¾"	50	1100	1150
14233	1"	50	600	650

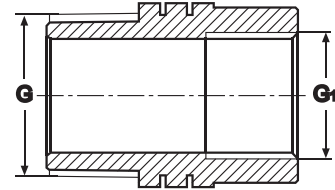
## DIŞLİ BAĞLANTI ELEMANLARI / THREADED FITTINGS

مواد الربط المسننة / РЕЗЬБОВЫЕ ФИТИНГИ

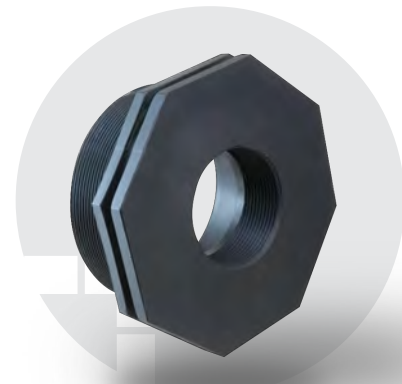
KOD CODE	EBAT / SIZE G x G <sub>1</sub>	AMBALAJ ADEDİ PACKING QUANTITY	KOLİ ADEDİ BOX QUANTITY	ÇUVAL ADEDİ SACK QUANTITY
13911	½" x ½"	50	1300	1300
13912	½" x ¾"	50	900	1050
13913	½" x 1"	50	500	550
13922	¾" x ¾"	50	800	900
13923	¾" x 1"	50	500	550
13933	1" x 1"	50	450	500
13944	1¼" x 1¼"	15	210	255
13945	1¼" x 1½"	15	270	285
13954	1½" x 1¼"	15	300	300
13955	1½" x 1½"	15	210	255
13956	1½" x 2"	15	180	210
13957	1½" x 2½"	15	120	135
13966	2" x 2"	15	150	180
13967	2" x 2½"	12	108	132
13968	2" x 3"	6	84	84
13969	2" x 4"	4	56	48
13977	2½" x 2½"	12	84	108
13978	2½" x 3"	6	72	84
13979	2½" x 4"	4	48	48
13988	3" x 3"	6	66	72
13989	3" x 4"	4	48	44
13999	4" x 4"	4	40	36



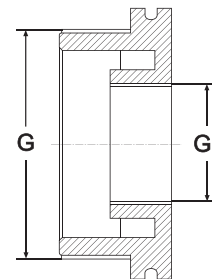
**DIŞLİ REDÜKSİYON ERKEK - DIŞI**  
THREADED REDUCING MALE - FEMALE  
ПЕРЕХОДНАЯ МУФТА НАРУЖНАЯ РЕЗЬБА - ВНУТРЕННЯЯ РЕЗЬБА  
مصغرة سن خارج - سن داخل مسننة



KOD CODE	EBAT / SIZE G x G <sub>1</sub>	AMBALAJ ADEDİ PACKING QUANTITY	KOLİ ADEDİ BOX QUANTITY	ÇUVAL ADEDİ SACK QUANTITY
13921	¾" x ½"	50	1900	2000
13931	1" x ½"	50	1200	1250
13932	1" x ¾"	50	1200	1300
13941	1¼" x ½"	25	550	600
13942	1¼" x ¾"	25	550	600
13943	1¼" x 1"	25	550	600
13951	1½" x ½"	15	390	390
13952	1½" x ¾"	15	360	390
13953	1½" x 1"	15	360	390
13961	2" x ½"	15	270	270
13962	2" x ¾"	15	255	270
13963	2" x 1"	15	240	270
13964	2" x 1¼"	15	255	270
13965	2" x 1½"	15	255	270
13973	2½" x 1"	12	144	144
13974	2½" x 1¼"	12	144	168
13975	2½" x 1½"	12	144	168
13976	2½" x 2"	12	144	168
13984	3" x 1¼"	12	96	108
13985	3" x 1½"	12	96	108
13986	3" x 2"	12	96	108
13987	3" x 2½"	12	96	120
13996	4" x 2"	6	60	60
13997	4" x 2½"	6	60	72
13998	4" x 3"	6	60	72



**DIŞLİ REDÜKSİYON ERKEK - DIŞI**  
THREADED REDUCING MALE - FEMALE  
BUSHING  
ПЕРЕХОДНИК РЕЗЬБОВОЙ «МУФТА»  
بوش مصغرة مسننة سن خارج - سن داخل



# DIŞLİ BAĞLANTI ELEMANLARI / THREADED FITTINGS

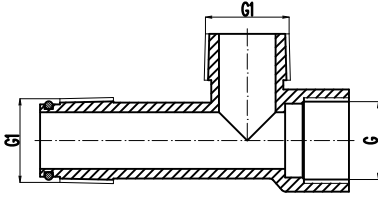
مواد الربط المسننة / РЕЗЬБОВЫЕ ФИТИНГИ



## MTT-100 KOLLEKTÖR TE

MTT-100 MANIFOLD TEE  
Коллекторный тройник мтт-100  
قسام تجميع ١ بوصة

KOD CODE	EBAT / SIZE G <sub>1</sub> x G <sub>1</sub> x G <sub>1</sub>	AMBALAJ ADEDİ PACKING QUANTITY	KOLİ ADEDİ BOX QUANTITY	ÇUVAL ADEDİ SACK QUANTITY
14333	1" x 1" x 1"	6	270	300



## DIŞLİ BAĞLANTI ELEMANLARI

THREADED FITTINGS  
РЕЗЬБОВЫЕ ФИТИНГИ  
مواد الربط المسننة

### DİKKAT EDİLMESİ GEREKEN HUSUSLAR

- + Ürünlerde dış kısımlarına sızdırmazlık için teflon vb. sızdırmazlık elemanı kullanılmalıdır.
- + Ürünler dış bitiminden sonra aşırı zorlanmamalıdır.

### POINTS TO TAKE INTO CONSIDERATION

- + Sealing elements such as Teflon should be used to seal the threads of the products.
- + Products should not be forced after thread end.

# SERTİFİKALARIMIZ / CERTIFICATES



**MARKA TESCİL BELGESİ**  
BRAND REGISTRATION



**KALİTE YÖNETİM BELGESİ**  
QUALITY MANAGEMENT  
SYSTEM CERTIFICATE



**ÇEVRE YÖNETİM BELGESİ**  
ENVIRONMENT MANAGEMENT  
SYSTEM CERTIFICATE



**İŞ SAĞLIĞI GÜVENLİĞİ**  
OCCUPATIONAL HEALTH &  
SAFETY MANAGEMENT SYSTEM  
CERTIFICATE



**YENİ MAVİ SERİ  
AMERİKA PATENTİ**  
NEW BLUE SERIES  
USA DESIGN PATENT



**KIWA BELGESİ**  
KIWA CERTIFICATE



**TSE COVID-19  
GÜVENLİ ÜRETİM BELGESİ**  
TSE COVID-19  
SAFE PRODUCTION CERTIFICATE



**MAVİ SERİ  
TASARIM TESCİL BELGESİ**  
BLUE SERIES - DESIGN  
REGISTRATION CERTIFICATE



**YENİ MAVİ SERİ  
TASARIM TESCİL**  
NEW BLUE SERIES - DESIGN  
REGISTRATION CERTIFICATE



**YENİ PRİZ KOLYE  
TASARIM TESCİL**  
NEW CLAMP SADDLE  
DESIGN REGISTRATION  
CERTIFICATE



**YENİ YEŞİL SERİ  
TASARIM TESCİL**  
NEW GREEN SERIES - DESIGN  
REGISTRATION CERTIFICATE



**ESNEK BORU TUTUCULAR  
FAYDALI MODEL BELGESİ**  
UTILITY MODEL CERTIFICATE  
FLEXIBLE O-RING HOLDERS



**TS ISO 17885 TÜRK  
STANDARTLARINA UYGUNLUK**  
TSE ISO 17885 Certificate Of  
Conformity to TSE



**TS ISO 13460-1 TÜRK  
STANDARTLARINA UYGUNLUK**  
TSE ISO 13460-1 Certificate  
Of Conformity to TSE



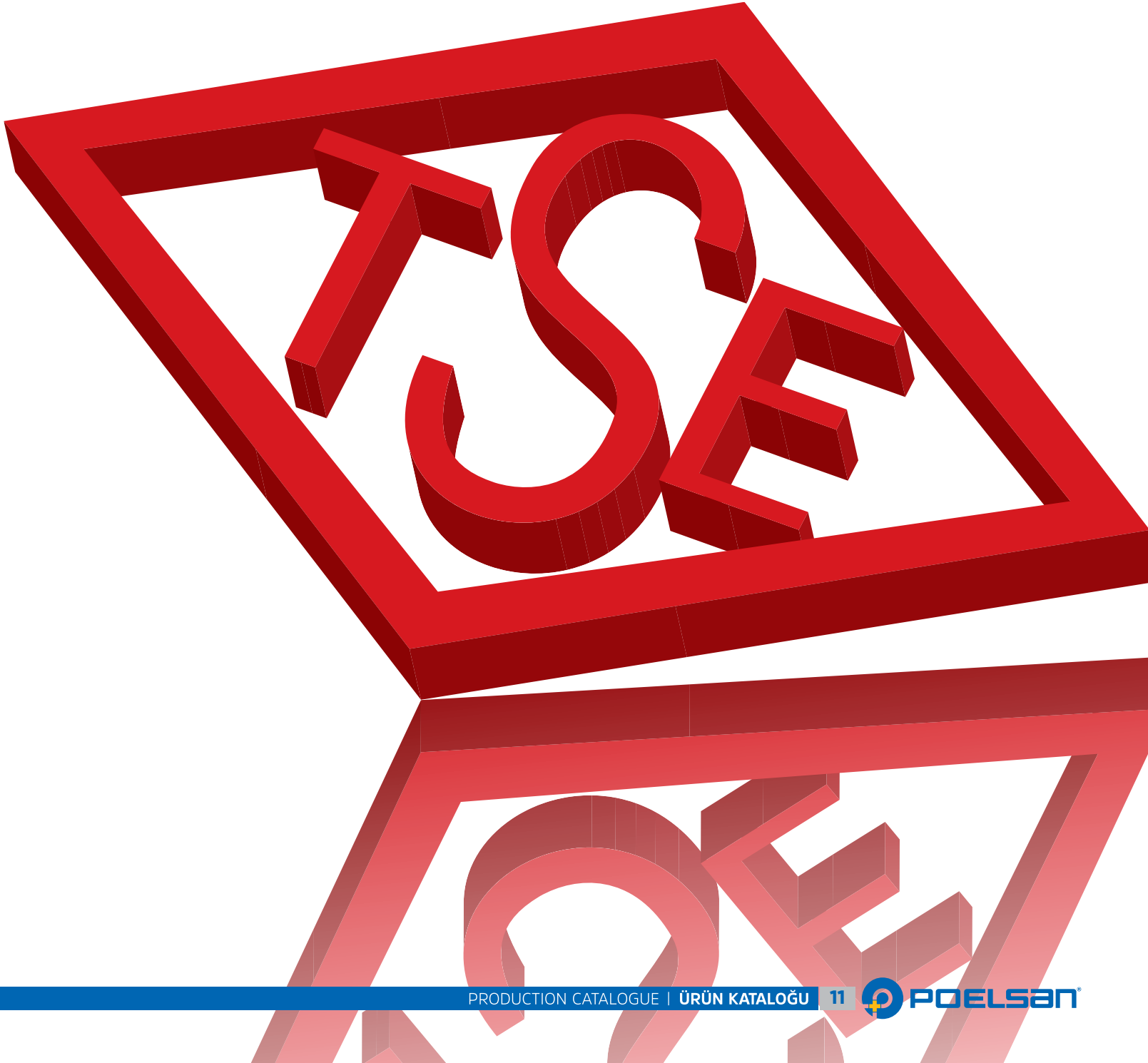
**TS ISO 9911 VANALAR TSE  
KRİTERLERİNE UYGUNLUK**  
TS ISO 9911 Valves Certificate  
Of Conformity to TSE



**TS ISO 9261 TÜRK  
STANDARTLARINA UYGUNLUK**  
TS ISO 9261 Certificate  
Of Conformity to TSE



**TS 13716 VANA KUTULARI TÜRK  
STANDARTLARINA UYGUNLUK**  
TS 13716 Valve Boxes Certificate  
Of Conformity to TSE



# AMBALAJ BİLGİLERİMİZ / PACKAGE INFORMATION

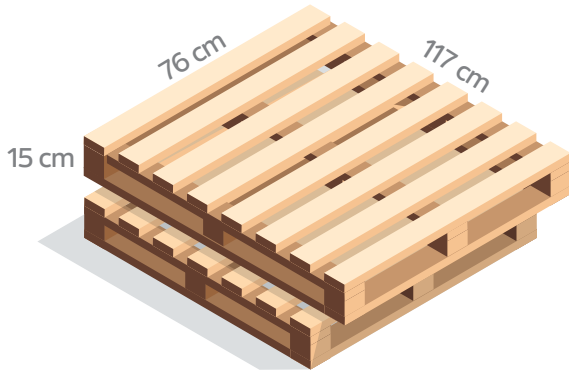


## Koli Kullanılan Ürün Grupları

Mavi Seri  
Yeşil Seri  
Priz Kolye Geçmeli  
Layflat Ek Parçaları & Çıkış Nipelleri  
Dişli Bağlantı Elemanları  
Mini Vanalar (DN 8)  
Mini Vanalar (DN 15)  
Damla Sulama Kurtağzı Ek Parçaları  
Yassı Damla Sulama Ek Parçaları  
Yüzüklü Yassı Damla Sulama Ek Parçaları  
Minisprinkler & Mikrofittingler  
Hat Üstü Damlatıcılar  
Priz Kolye  
Manyetik Lokma Ucu  
(16080, 16083)  
Yeşil Seri Küresel Vana  
Mavi Seri Küresel Vana  
Boru Delme Aparatı  
(16096, 16098, 16092, 16094)

## Product Series in Box

Blue Series  
Green Series  
Clamp Saddles With Slide  
Layflat Fittings & Offtake Nipples  
Threaded Fittings  
Mini Valves (DN 8)  
Mini Valves (DN 15)  
Dripline Barbed Fittings  
Drip Tape Fittings  
Drip Tape Fittings With Ring  
Minisprinklers & Microfittings  
On-Line Drippers  
Clamp Saddles  
Magnetic Socket Wrench  
(16080, 16083)  
Green Series Ball Valves  
Blue Series Ball Valves  
Driller  
(16096, 16098, 16092, 16094)



## Palet Kullanılan Ürün Grupları

Vana Kutuları

## Product Series in The Pallet

Valve Boxes



## Çuval Kullanılan Ürün Grupları

+ Küresel Vanalar hariç tüm ürünlerimizde çuval kullanılmaktadır.



## NOTLAR / NOTES

Blank area for notes, consisting of multiple horizontal lines.



01/2021

Şabanoğlu OSB Mahallesi Ulubatlı Caddesi No: 6 Tekkeköy SAMSUN TÜRKİYE  
Tel: +90 362 266 75 24 Faks: +90 362 266 77 51 GSM: +90 544 366 69 64

www.poelsan.com @ poelsan in poelsan f | poelsanplastik poelsan@poelsan.com